



ROOF ACCESS



ROOF ACCESS

All Surespan thermally broken access hatches are engineered with the best available materials, primarily aluminium or stainless steel to provide the ultimate in performance and complement the building. Surespan products are manufactured to a modern design and in a high-tech environment to close tolerances, to ensure we achieve the maximum in efficiency with our thermally broken sections.

Standard roof hatches are offered with stainless steel gas spring assisted opening for effortless, efficient and safe operation. Other mechanical and electrical opening options are available including solar powered electric actuators.

All Surespan access products can be offered polyester powder coated to any RAL colour.



ROOF

6 MANUAL OPENING

Standard Roof Access Hatch
Page 7 - Plant Room Access Hatch



8 FIRE RATED ROOF ACCESS

UL Certified Fire Rated Hatch



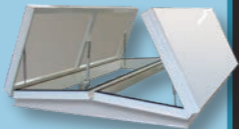
9 CONSERVATION HATCH

Replacement Roof Hatch for existing upstands



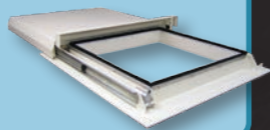
10 DOUBLE LEAF

Double Leaf Roof Hatch



12 SLIDING

Sliding roof hatch



KIELDER OBSERVATORY

Bespoke double door roof hatches



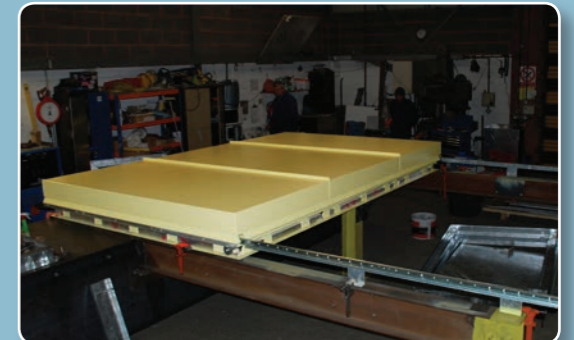
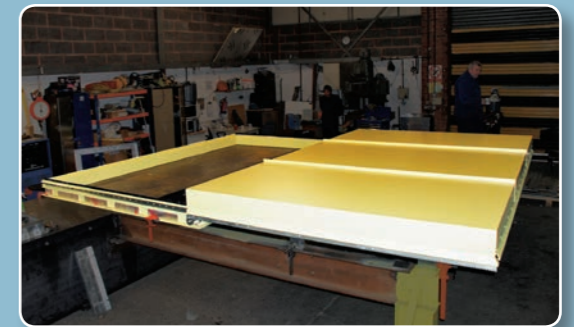
BURJ KHALIFA DUBAI

Stainless steel submarine hatch for access to aircraft Warning Lights.



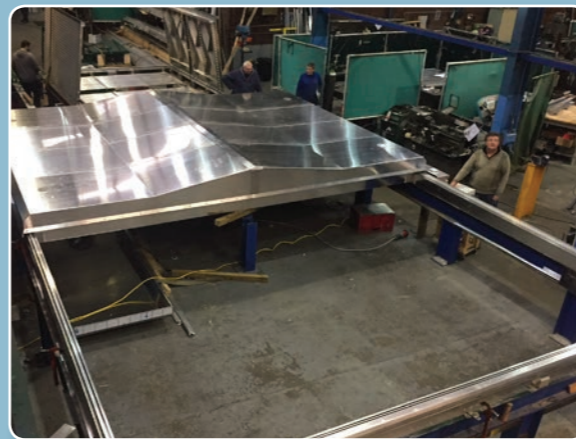
DIDCOT POWER STATION

6000 x 4000mm Electric Sliding Roof Hatch



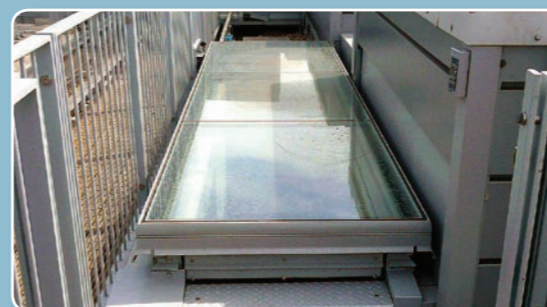
FERRARI WORLD ABU DHABI

5400 x 4000 Sliding hatch for roller coaster maintenance.



ROOF TERRACE ACCESS LONDON

750 x 2500 Glazed Sliding hatch for roof access





SRHP/50

Standard features
 50mm PIR Insulation
0.43 W/m²K
 50mm THERMAL BREAK
OPTIONAL:
 50mm Non Combustible Mineral Wool Insulation
0.78 W/m²K

SRHP/75

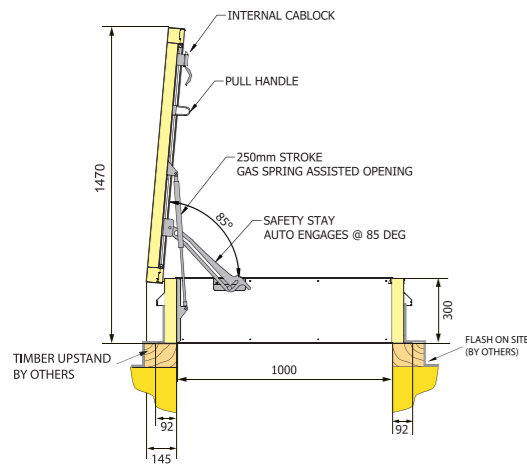
Standard features
 75mm PIR Insulation
0.23 W/m²K
 75mm THERMAL BREAK
OPTIONAL:
 75mm Non Combustible Mineral Wool Insulation
0.43 W/m²K

SRHP50/75 STANDARD HATCHES

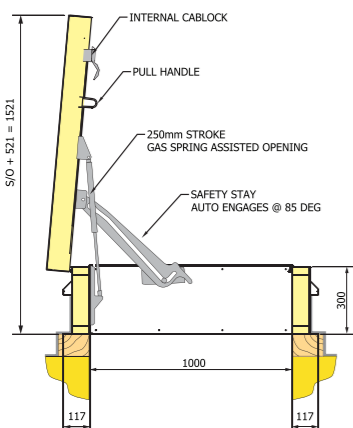
- Standard features
- Full 50mm or 75mm Thermally Broken sections
 - Insulation U-Value 0.43 W/m²K fully insulated and energy efficient
 - Secure rigid aluminium weather tight construction
 - Hatch designed to support a live load of 200 kg/m²
 - LO1 Locking - Stainless steel Cablock - (Other options available)
 - Rw25dB acoustic rated
 - Double unbroken seals
 - Gas spring assisted operation
 - Hold open stay
 - Pull down handle
 - Available in stock sizes detailed below
 - Custom made to any size
 - Predrilled holes in base flange

CUSTOM MADE TO ANY SIZE

SRHP50

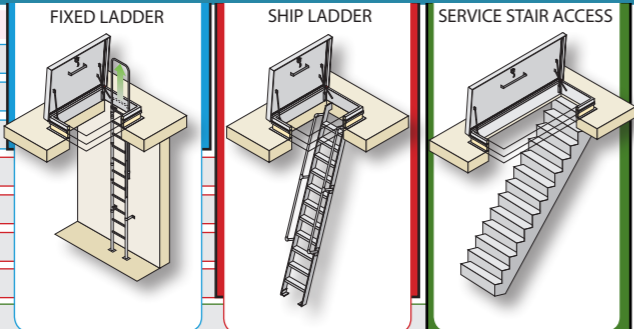


SRHP75



LADDER ACCESS SIZES

Structural Opening	Weight (kg)
600 x 600	42
750 x 750	54
750 x 900	58
900 x 900	60
1000 x 1000	66
1500 x 750	75
1200 x 1200	76
2500 x 750	85

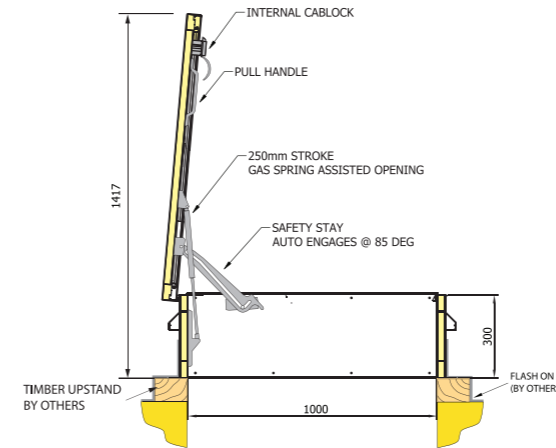


SRHP/25

Standard features
 25mm PIR Insulation
0.78 W/m²K
 25mm THERMAL BREAK
OPTIONAL:
 25mm Non Combustible Mineral Wool Insulation
1.14 W/m²K

SRHP/25 PLANT ROOM ACCESS

- Standard features
- Full 25mm Thermally broken sections for outstanding insulation
 - Insulation U-Value 0.78 W/m²K
 - Secure rigid aluminium weather tight construction
 - Hatch designed to support a live load of 200 kg/m²
 - LO1 Locking - stainless steel heavy duty Cablock - non locking
 - Curb liner
 - Heavy Duty Continuous Hinges
 - Double unbroken bubble and blade seals
 - Gas spring assisted operation
 - Hold open and closing stay



SRHP25 - Aquaventure Waterpark in Atlantis



Bargoed Library - Wales



Oasis Academy Lord's Hill - Southampton



Roof Hatch for Pitched Roof



HOW TO SPECIFY & ORDER

Choose your model and add the option codes listed, see the example below for a 1000 x 1000 Standard roof hatch with cab lock key locking external handle, and powder coated to RAL 9002. **SRHP50 - L04/RAL9002-100.100**
 If in doubt give our sales team a call on 01922 711185 or use the mail form on our website to contact us.

FIRE RATED ROOF ACCESS

STANDARD

50mm PIR Insulation
0.43 W/m²K

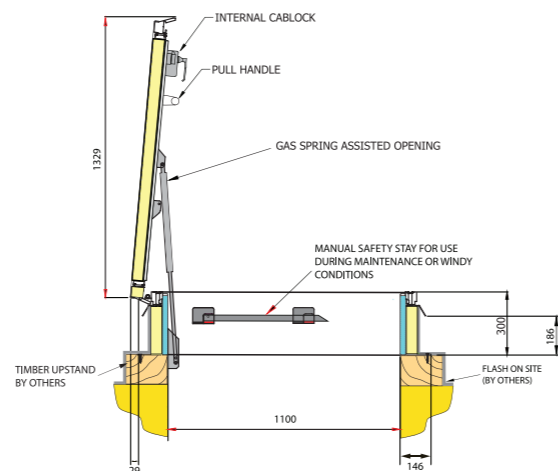
OPTIONAL:
50mm Non Combustible
Mineral Wool Insulation
0.63 W/m²K

UP TO 4 HOURS FIRE RATED

UL APPROVED



Surespan UL EU Approved
SRHTBFR Fire rated roof
hatches for up to 90
minutes.



SRHTB/FR

Standard features

- Full 50mm Thermally Broken sections
- Secure rigid aluminium weather tight construction
- Hatch designed to support a live load of 200 kg/m²
- LO1 Locking - stainless steel heavy duty Cablock - non locking
- Double unbroken seals
- Gas spring assisted operation
- Hold open stay
- Pull down handle
- Available in stock sizes detailed below
- Custom made to any size
- Predrilled holes in base flange

CUSTOM MADE TO ANY SIZE

SRHTB/FR ROOF HATCH PROJECT

Hong Kong Airport - 4 hours fire rated



SRHTB/FR ROOF HATCH PROJECT

Dubai International Airport - 2 hours fire rated



CONSERVATION ROOF HATCH

SRHP/RF

Standard features
50mm PIR Insulation
0.78 W/m²K

50mm THERMAL BREAK

OPTIONAL:
50mm Non Combustible Mineral Wool Insulation
0.63 W/m²K

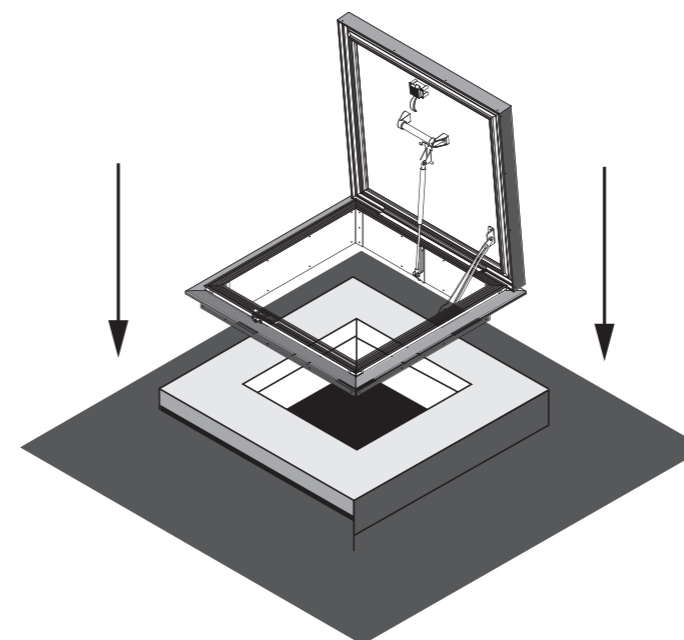
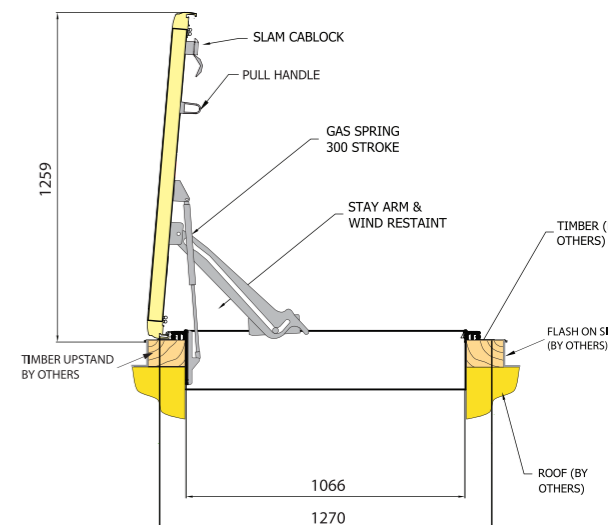


SRHP/RF ROOF HATCH

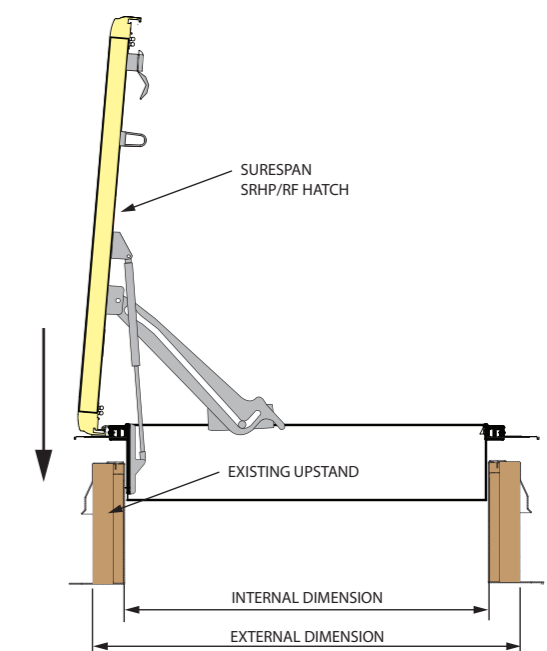
Standard features

The replacement roof hatch is designed to provide a minimal sightline while still offering easy access. The built-on rain run-off skirt allows for installation to pre-weathered upstands, providing a weather tight finish.

- Full 50mm Thermally broken sections
- Insulation U-Value 0.43 W/m²K
- Secure rigid aluminium weather tight construction
- The hatch designed to support a live load of 200 kg/m²
- LO1 Locking - stainless steel heavy duty Cablock - non locking
- Heavy Duty Continuous Hinges
- Double unbroken bubble and blade seals
- Gas spring assisted operation
- Hold open and closing stay
- Pull down handle
- Custom made to any size



FOR EXISTING WEATHERED UPSTAND
CONCRETE, TIMBER OR SIMILAR



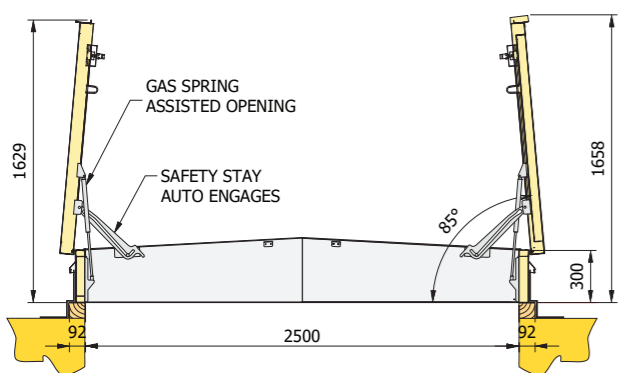
FOR EXISTING WEATHERED ROOF HATCH
UPSTAND (ANY MANUFACTURER)



SRH/DL DOUBLE LEAF

Standard features
 50mm PIR Insulation
0.43 W/m²K
OPTIONAL:
 50mm **Non Combustible** Mineral Wool Insulation
0.63 W/m²K

CUSTOM MADE TO ANY SIZE



OPTIONAL FEATURES

- | | |
|-----------------------------------|--------------------|
| • Concealed gas springs | OPTION CODE |
| • Electrical option | GSC |
| • Acoustic rating to Rw45dB | E |
| • One hour fire rating | 45dB |
| • Two hour fire rating | FR60 |
| • Powder coated to any RAL colour | FR120 |
| • Trace Heating | PC/RAL |
| • SureGuard handrail | TH |
| • Retractable Safety Grid | SURG |
| | SG |



HOW TO SPECIFY & ORDER

Choose your model and add the option codes listed above. See the example below for a 2000 x 2000 double leaf roof hatch with external handle and 3 point locking, curb liner, 1 hour fire rated and powder coated to RAL 9002.
SRH/DL - L04/L08/CL/FR60/RAL9002-200.200
 If in doubt give our sales team a call on 01922 711185 or use the mail form on our website to contact us.

HIGH SPEC DOUBLE LEAF

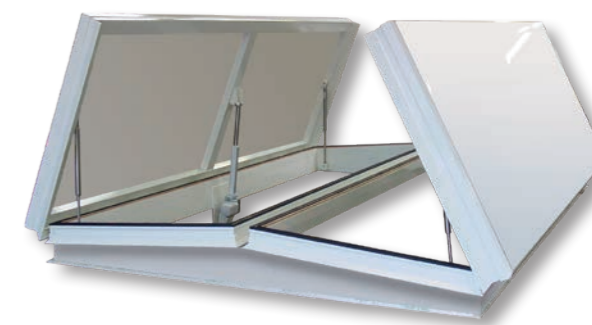


Surespan double leaf roof hatches are manufactured in aluminium with an optional polyester powder coated finish.

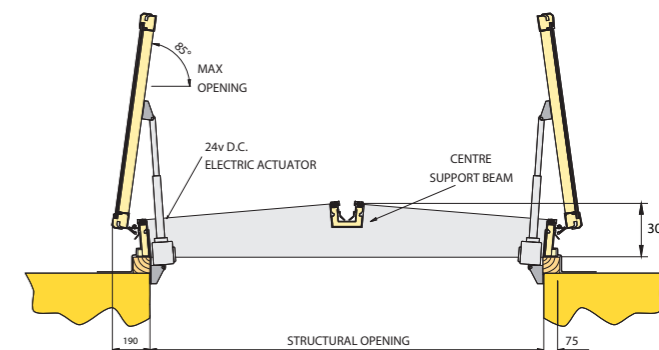


SRH/DL/FRC - FIXED RAIN CHANNEL

- Any locking option
- Gas spring
- Hold open stay
- Curb liner
- Fixed rain channel
- Standard features all as double leaf hatch with the addition of a fixed rain channel and non sequenced opening



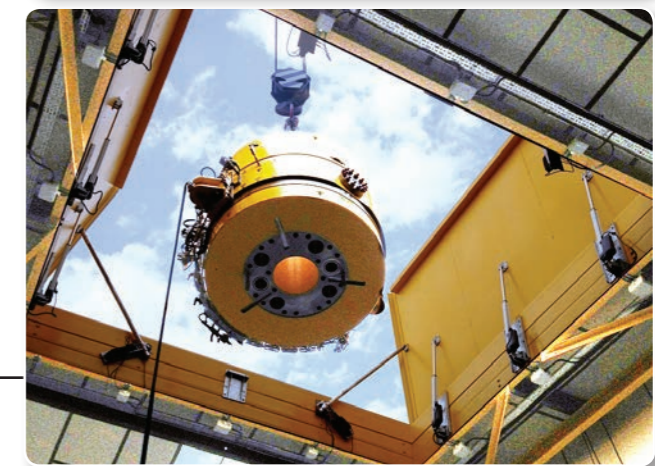
CUSTOM MADE TO ANY SIZE



SPECIAL PROJECTS

Brief: The client needed to manoeuvre large and heavy items of plant in/out of the building. There was insufficient space and head room for internal lifting equipment.

Solution: Surespan designed and supplied an electrically operated, double leaf roof hatch allowing crane access through the roof.





SLH SLIDING ACCESS HATCH

Standard features

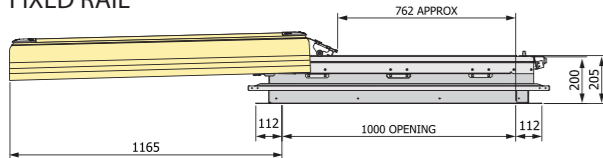
Surespan SLH sliding access hatch. Metal top or glazed sliding hatches are ideal in areas where there is height restriction or risk of high wind. Hatches up to 1500mm of travel are available with completely retractable sliding gear operated by hand or motorized.

OPTIONAL FEATURES

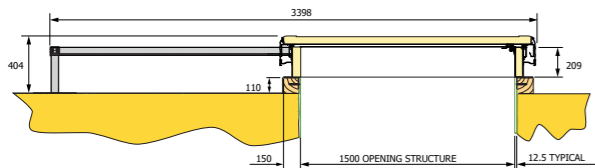
- Retractable Telescopic Rails up to 1500mm
- Electrical option
- Solar
- Locking - Internal sliding bolt with padlock hasp
- Pressure sensitive edge
- Polyester powder coated to any RAL colour
- Rain skirt
- Trace Heating
- SureGuard handrail

- OPTION CODE**
- RSG
 - E
 - SOLAR
 - SB
 - PS
 - PC/RAL
 - RS
 - TH
 - SURG

FIXED RAIL



TELESCOPIC RAIL



CUSTOM MADE TO ANY SIZE

OPERATION

MANUAL



ELECTRIC



HOW TO SPECIFY & ORDER

Choose your model and add the option codes listed above. See the example below for a 1000 x 1000 electrically operated sliding hatch with retractable slider and powder coated to RAL 9002. **SLH/E - RSG/RAL9002-100.100**

If in doubt give our sales team a call on 01922 711185 or use the mail form on our website to contact us.

QUEBEC BI-FOLDING SLIDING DOOR - 1 OF 6



SLIDING ROOF ACCESS SOLUTIONS

Sliding Glass Roof Access - London



Porsche Aftersales Centre - London



Porsche Aftersales Centre - London



Didcot Power Station 6000 x 4000



Great Portland Street - London



Sliding Glass Roof Terrace Access - London

INTERNAL SKIRT LINER WITH ZIP LADDER



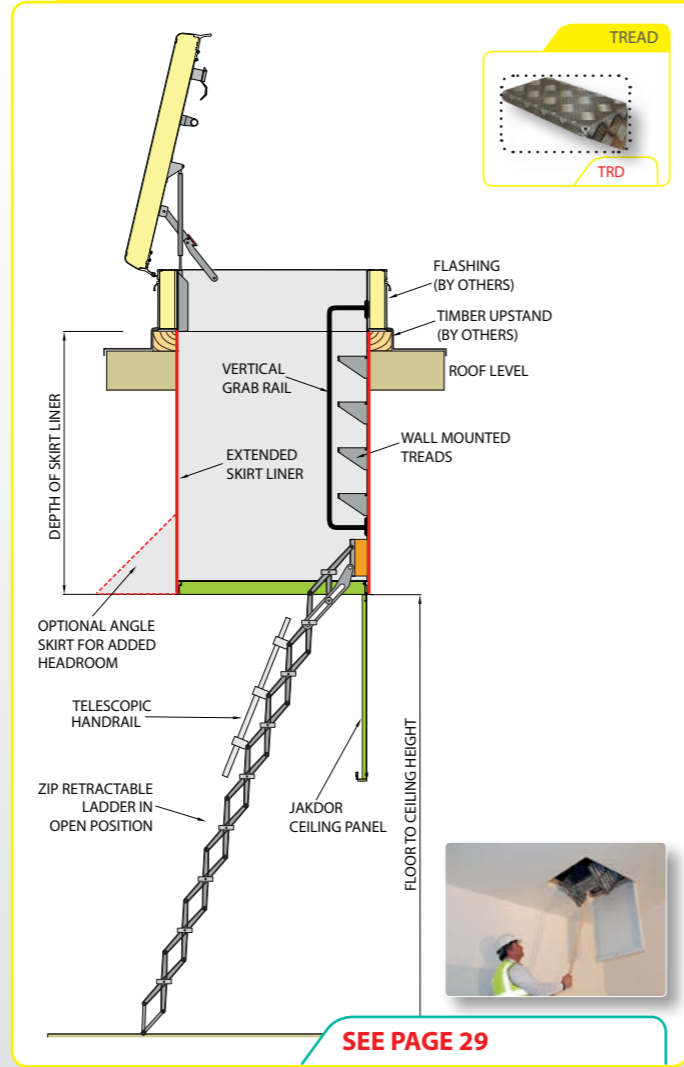
ZIP LADDERS
Full range of ZIP ladders
SEE LADDERS SECTION P.62

ANGLED SKIRT
ESA

EXTENDED SKIRT
ES

SEE PAGE 29

EXTENDED SKIRT WITH ZIP LADDER

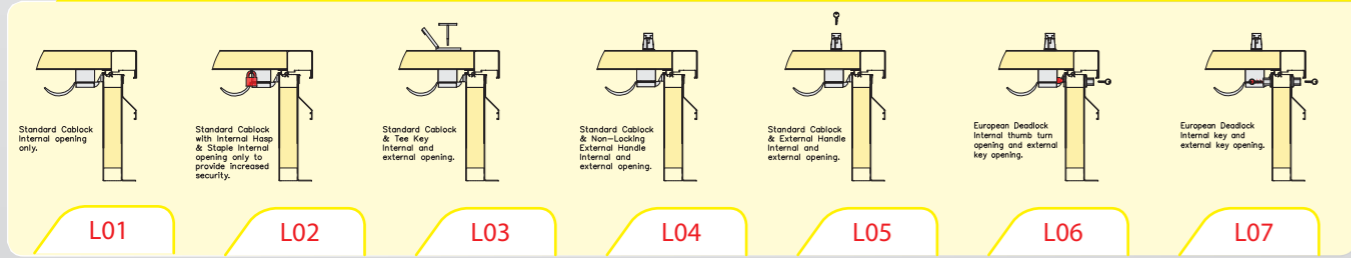


TREAD
TRD

FLASHING (BY OTHERS)
TIMBER UPSTAND (BY OTHERS)
ROOF LEVEL
WALL MOUNTED TREADS
VERTICAL GRAB RAIL
EXTENDED SKIRT LINER
DEPTH OF SKIRT LINER
OPTIONAL ANGLE SKIRT FOR ADDED HEADROOM
TELESCOPIC HANDRAIL
ZIP RETRACTABLE LADDER IN OPEN POSITION
JAKDOR CEILING PANEL
FLOOR TO CEILING HEIGHT

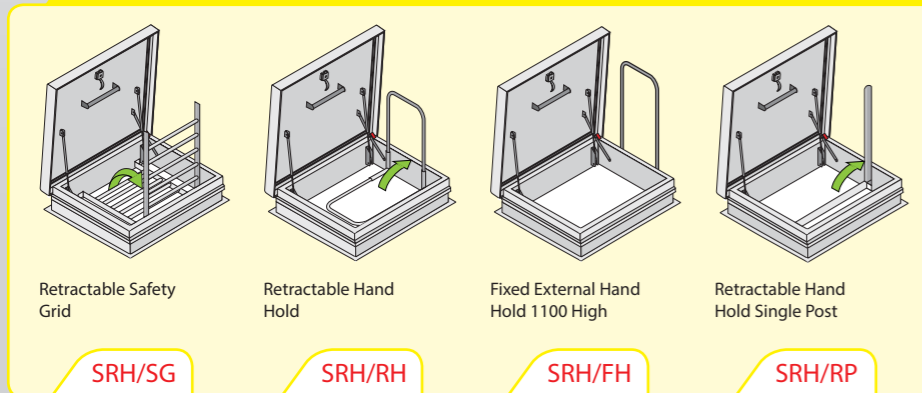
SEE PAGE 29

LOCKING OPTIONS



L01 L02 L03 L04 L05 L06 L07

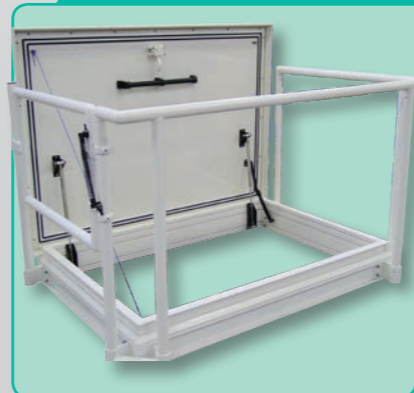
SAFETY GRID



Retractable Safety Grid
Retractable Hand Hold
Fixed External Hand Hold 1100 High
Retractable Hand Hold Single Post

SRH/SG SRH/RH SRH/FH SRH/RP

SUREGUARD



THERMAL BREAK



Thermally broken extrusions to control heat loss.
STANDARD
THM

TRACE HEATING



Trace heating elements placed within extrusion.
TH

ACOUSTIC



30dB
45dB

FIRE RATING



FR60
FR120
FR240

CONCEALED GAS SPRING



GSC

PRESSURE SENSITIVE EDGE



PS

LOUVRED UPSTAND



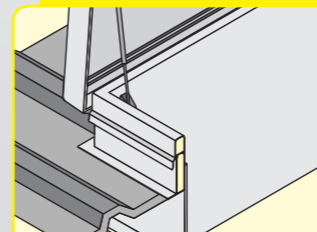
VU

WALK-ON TOP



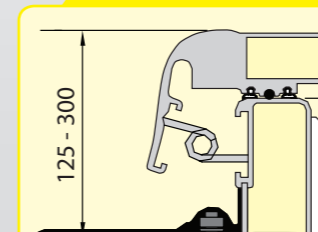
SWO

METAL DECK LINER



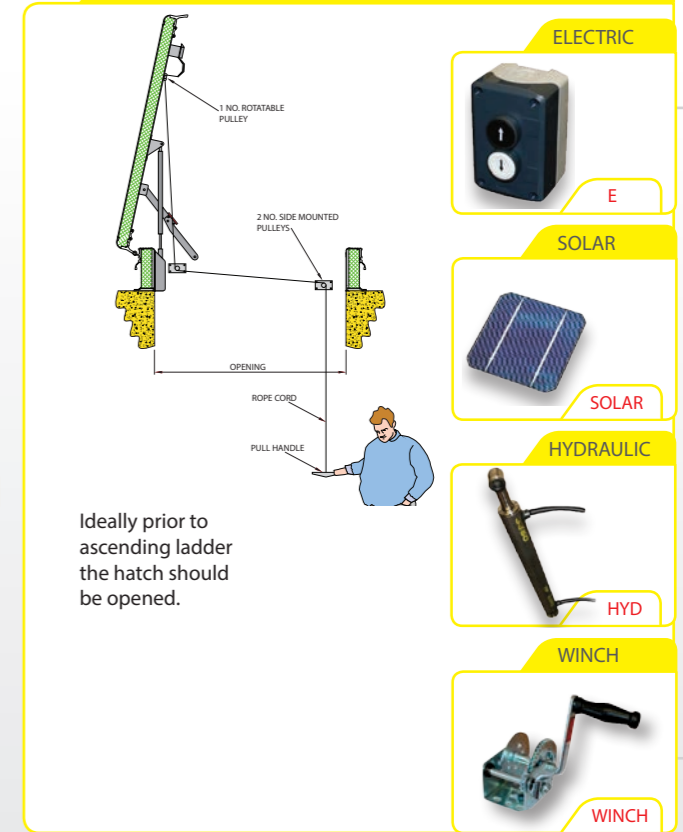
MDL

VARIABLE UPSTAND



125 - 300
EU/RU

OPENING OPTIONS



1 NO. ROTATABLE PULLEY
2 NO. SIDE MOUNTED PULLEYS
OPENING
ROPE CORD
PULL HANDLE

ELECTRIC
E

SOLAR
SOLAR

HYDRAULIC
HYD

WINCH
WINCH

Ideally prior to ascending ladder the hatch should be opened.

RAIN SENSOR



RSR

WIND SPEED SENSOR



WS

ROOF PITCH



SRH/RI

UL EU APPROVED



UL
EU
Surespan UL EU Approved SRHTBFR Fire rated roof hatches for up to 90 minutes.
FR

STAINLESS STEEL



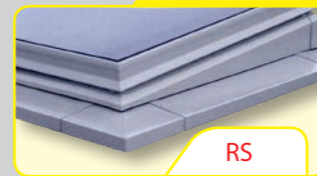
SS304
SS316

POWDER COATING



PC/RAL
PC/RAL2

RAIN SKIRT



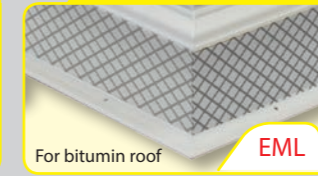
RS

CURB LINER



CL

MESH LINER



For bitumin roof
EML

See operations tab