



GLAZED ACCESS



GLAZED ACCESS

Surespan SRHG glazed access hatches are generally used where there is a need or desire to allow light into the area below the unit or to maintain external views. Most of our access hatches can be offered with a glazed lid with considerations being given for the size and weight of the unit.

In today's modern world there are various options for a glazing system. In collaboration with our glazing suppliers we can generally provide a system to meet whatever is required by our customers. Our range offers double glazed, triple glazed, walk-on, with various textures and finishes to suit.

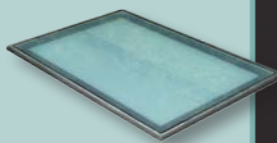
As full members of the National Association of Rooflight Manufacturers (NARM), we seek to ensure that our products conform to the latest standards and technology available in glazed systems.



GLAZED

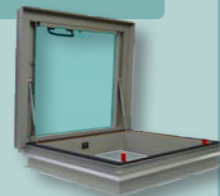
22 FIXED GLAZED

Fixed glazed



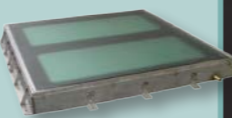
24 GLAZED ROOF ACCESS

Glazed roof hatch

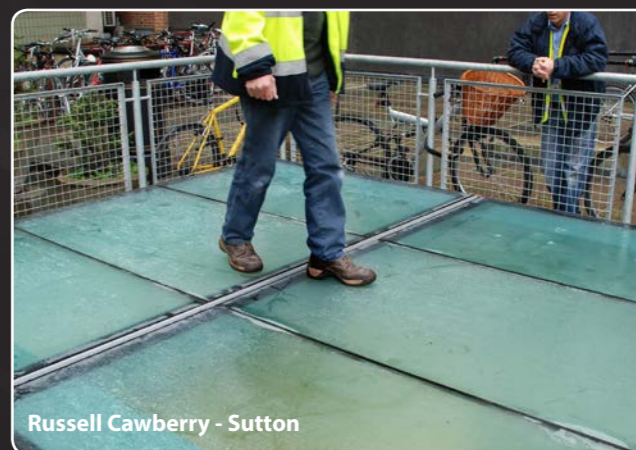


26 WALK-ON GLASS

Walk-on glass access hatches and fixed glazed units



Stratton House - London



Russell Cawberry - Sutton





**FGL - FIXED ROOFLIGHT**

**Standard features**

The 35.5mm sealed double glazed unit will comprise Pilkington 6mm toughened K polished all round outer pane, 20mm Warm Edge silver spacer Bar argon filled, Pilkington 9.5mm toughened & laminated inner pane. This sealed glazed unit has a U-Value of 1.5 W/m<sup>2</sup>K.

Surespan stock sizes are polyester powder coated RAL7015 Slate Grey as standard. Other RAL colours can be provided on request.

**OPTIONAL FEATURES**

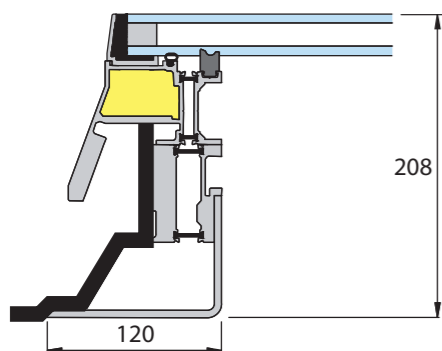
- Upstand 208mm
- Upstand 290mm
- Upstand - Custom size
- Walk on glass
- Ventilated upstand
- Available powder coated to any standard RAL colour
- Trace Heating
- SureGuard handrail

**OPTION CODE**

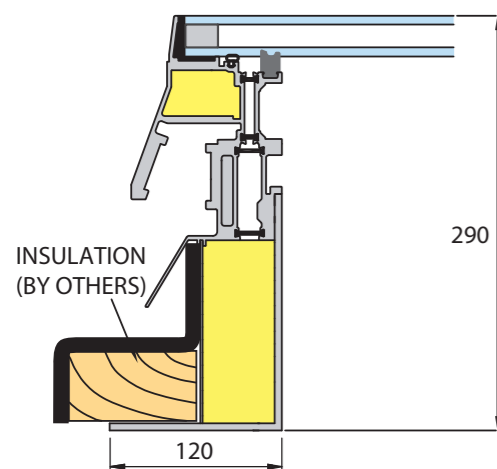
- FGL/208
- FGL/290
- EU/RU
- GWO
- VU
- PC/RAL
- TH
- SURG

**CUSTOM MADE TO ANY SIZE**

FGL/208



FGL/290



**SIZES**

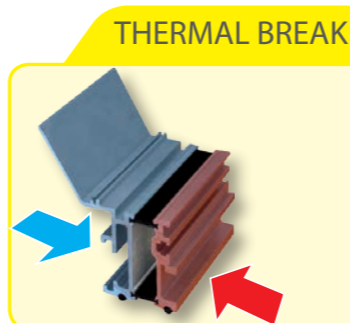
PRODUCT Ref	SIZE	WEIGHT
FGL 60.60	600 x 600	41 kg
FGL 75.75	750 x 750	56 kg
FGL 900.900	900 x 900	71 kg
FGL 100.100	1000 x 1000	83 kg
FGL 120.120	1200 x 1200	107 kg
FGL 100.150	1000 x 1500	108 kg
FGL 100.200	1000 x 2000	133 kg

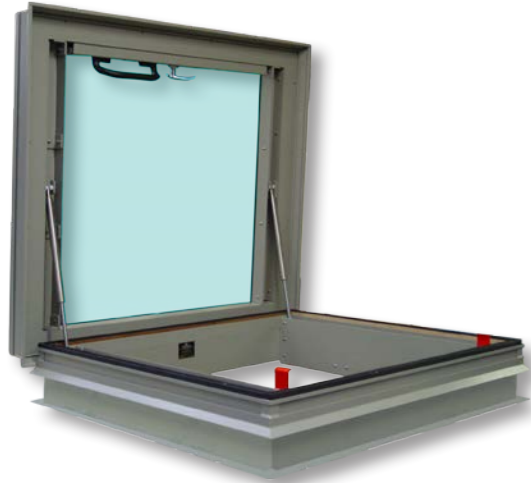
A minimum upstand pitch of 5 degrees is recommended. For self cleaning glass 15 degrees is required.

**HOW TO SPECIFY & ORDER**

Choose your model and add the option codes listed above, see the example below for a 1000 x 1000 Fixed glazed rooflight 208 overall height with ventilated upstand, walk on glass and powder coated to RAL 9002. **FGL/208 - VU/GWO/RAL9002-100.100**

If in doubt give our sales team a call on 01922 711185 or use the mail form on our website to contact us.





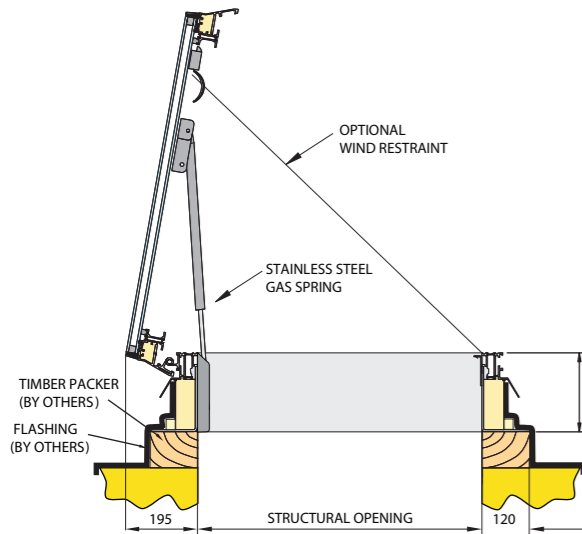
**SRHG – GLAZED ROOF ACCESS**

The 35.5mm sealed double glazed unit will comprise Pilkington 6mm toughened K polished all round outer pane, 20mm Warm Edge silver spacer Bar argon filled, Pilkington 9.5mm toughened & laminated inner pane. This sealed glazed unit has a U-Value of 1.5 W/m<sup>2</sup>K.

**OPTIONAL FEATURES**

- |                                  |                       |
|----------------------------------|-----------------------|
| • Retractable safety grid        | <b>SG</b>             |
| • Retractable hand hold          | <b>RH</b>             |
| • Retractable single pole        | <b>RP</b>             |
| • Powder coated (RAL colours)    | <b>PC/RAL</b>         |
| • Acoustic to Rw45dB             | <b>45dB</b>           |
| • Extended/Reduced upstand       | <b>EU/RU</b>          |
| • Electric                       | <b>E</b>              |
| • Solar                          | <b>SOLAR</b>          |
| • Hydraulic (for larger hatches) | <b>HYD</b>            |
| • Concealed gas spring           | <b>GSC</b>            |
| • Concealed motors               | <b>ECM</b>            |
| • Stainless steel SS304 & SS316  | <b>SS304 or SS316</b> |
| • Walk on top surface            | <b>A (Loading)</b>    |
| • Pressure sensitive edges       | <b>PS</b>             |
| • Ventilated upstand             | <b>VU</b>             |
| • Trace Heating                  | <b>TH</b>             |
| • Sureguard handrail             | <b>SURG</b>           |

**CUSTOM MADE TO ANY SIZE**

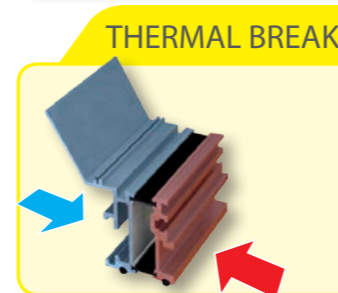


**HOW TO SPECIFY & ORDER**

Choose your model and add the option codes listed above. See the example below for a 1000 x 1000 Glazed hatch electrically operated concealed motors, solar controlled and powder coated to RAL 9002. **SRHGE – ECM/SOLAR/RAL9002-100.100**

If in doubt give our sales team a call on 01922 711185 or use the mail form on our website to contact us.

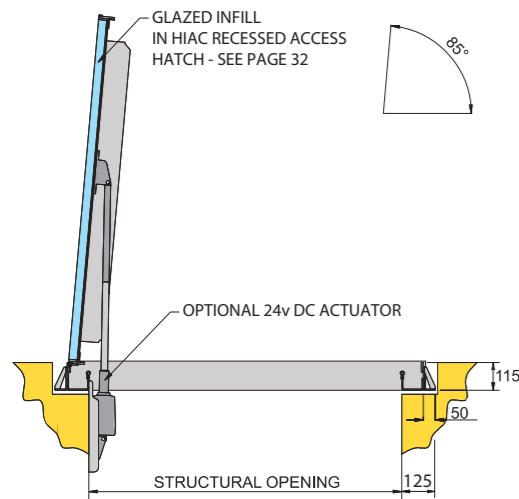
**GLAZED ACCESS SOLUTIONS**





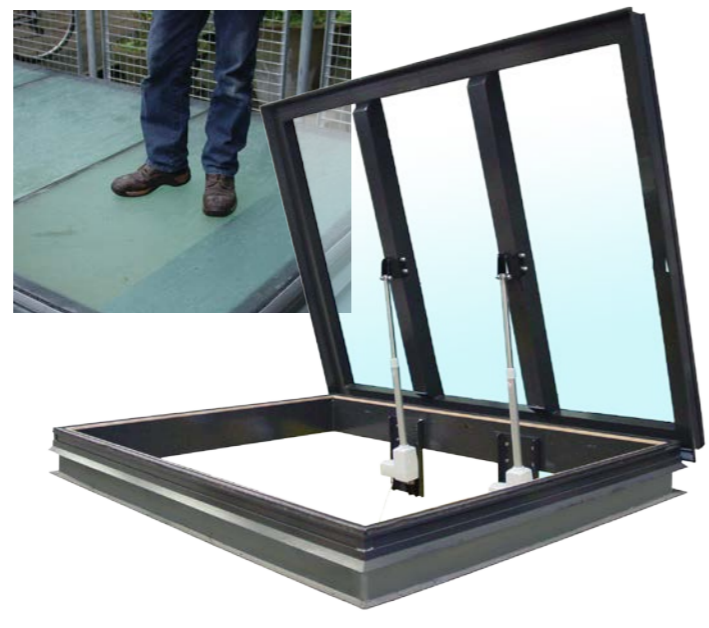
**GWO - WALK ON GLASS**

Surespan walk on glass access hatches are produced in a HIAC frame as detailed on pages 32 and 33. Operation as standard is by stainless steel gas spring assisted lift with hydraulic or electric lifting options available. Domestic loading at 1.4 kN concentrated and 1.5 kN/m<sup>2</sup> UDL and a U value of 5.4W/m<sup>2</sup>K.



CUSTOM MADE TO ANY SIZE

**WALK ON GLAZED**



**HOW TO SPECIFY & ORDER**

Choose your model and add the option codes listed on pages 84 and 85, see the example below for a 1000 x 1000 Walk on glazed access hatch pedestrian loading with concealed gas springs and powder coated to RAL 9002.  
**GWO - A/GSC/RAL9002-100.100**  
 If in doubt give our sales team a call on 01922 711185 or use the mail form on our website to contact us.



Russell Cawberry - Sutton



**BOXED GLAZED FLOOR ACCESS SOLUTIONS**

Surespan boxed glazed rooftop access features 35.5mm sealed double glazed unit and are custom made to any size.



Putney Bridge Road - London



Downtown Doha - Qatar



Circle Bath Hospital - Bath



Boxed Glazed Rooflight with fixed section - London